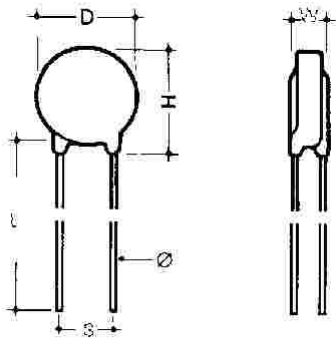




METAL OXIDE VARISTORS (ZnO) 7MM TYPE SMV

[BACK TO INDEX](#)

These varistors are voltage dependant symmetrical resistors which ,when exposed to high energy voltage transients cause the impedance to change from a high standby value to a very low conducting value thus clamping the transient voltage to a safe level and are ideal for use in power distribution equipment ,telecommunication equipment, data processing equipment, industrial instrumentation and automatic control systems . They are available in the preferred values and sizes shown below:-



DIMENSIONS

Description	Part No	D Max	H	S	W Max
SMVS7K275	03/009	7.5	11.5	5+-0.1	3.0

RATINGS

7mm STANDARD ENERGY 1.2 KA TYPE SMV

Type	Part No	Varistor Voltage	Max Allowable Voltage		Max Clamping Voltage (8/20us)		Rated Wattage	Energy		Max Peak Current		Capacitance 1Khz
			AC r.m.s(V)	DC(V)	Vc(V)	Lp(A)		(W)	10/1000us	2ms	1 Time	
SMVS7K275	03/009	431(387-473)	275	350	710	10	0.25	26.2	18.7	1.2	0.6	150